

**FK8-25T**

进 取 不 止



[www.fukeonline.com](http://www.fukeonline.com)

[fk002@fukebn.com](mailto:fk002@fukebn.com)

## *Basic Information*

Curb weight

**13760kg**

Max. traction force

**210KN**

Car volume

**10m<sup>3</sup>**

Approach angle

**25°**

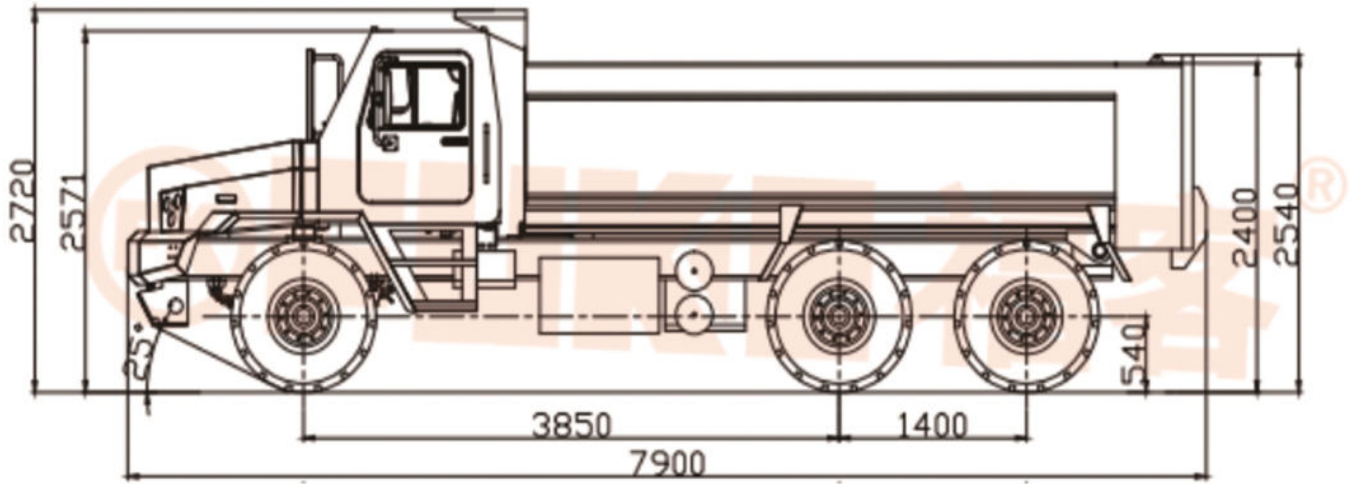
Rated load

**25000kg**

Rated power

**243kW**

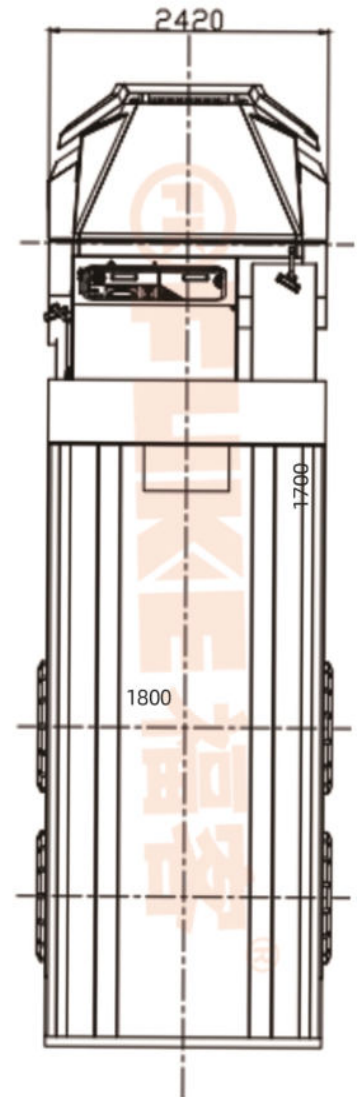
# Outline



5000

## Technical Specification

Dimensions (length x width x height) (mm)	7900x2500x2720
Curb weight (kg)	13760
Car volume (m <sup>3</sup> )	10
Rated load (kg)	25000
Maximum traction force (kN)	210
Maximum height of the machine when unloading (mm)	6150
Loading height (mm)	1200
Minimum ground clearance (mm)	320
Minimum turning radius (outside) (mm)	11000
Approach angle (°)	25
Gradeability (heavy load) (°)	14
Maximum lifting angle of carriage (°)	46
Car box lifting time (s)	35
Carriage falling time (s)	15
Maximum forward speed (Km/h)	55
The maximum speed of retreating (Km/h)	12.5
Diesel Engine Brand	Yuchai Engine
Diesel engine model	YC6L340-33
Diesel engine power	243kW



\*We follows the principle of continuous improvement Product performance parameters will be partially changed due to technical improvements without prior notice.



Contact us:  
Phone/Whatsapp:+8613505697380  
Email:fk002@fukebn.com/fuke7380@gmail.com

**FUKE**

Anhui Fuke Heavy Industry Equipment Co., Ltd.